

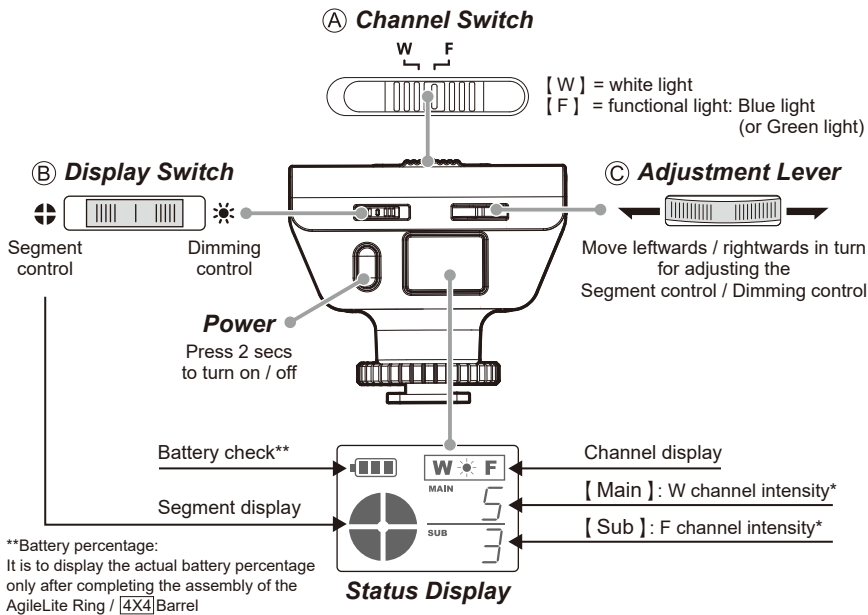
X-Loupe® AgileLite System User Guide 2024

About this product

The main component of AgileLite system include ❶ control unit: X-Core (or X-Core Plus); ❷ AgileLite Ring; all the main component come with a ring magnet mount, is easily and quickly used in combination with camera.

For more information and downloading this manual, please visit our website at www.x-loupe.com. Please read the copyright declaration prior to the usage of any part of the content in this booklet.

X-Core (Plus) Control unit



Illumination setting

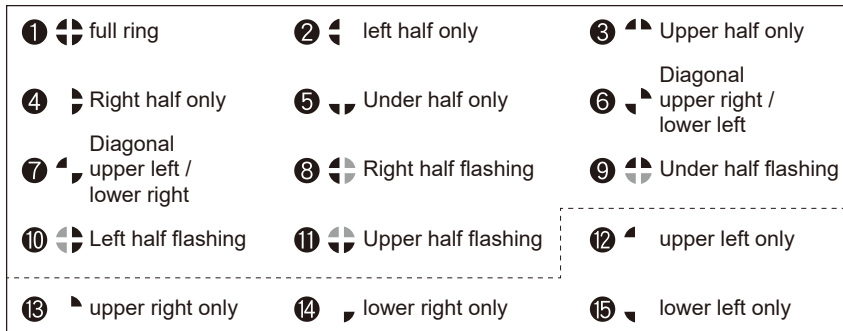
Step1 switch the (A) [Channel Switch] to [W] for white light / inner circle
 [F] for functional light / outer circle

Step2
 Segment Control Setting

Set the (B) [Display Switch] to [⚡], move (C) [Adjustment lever] leftwards / rightwards, in turn to change the lighting position by quadrant order; lighting modes are shown in turn as below.

Dimming Control Setting

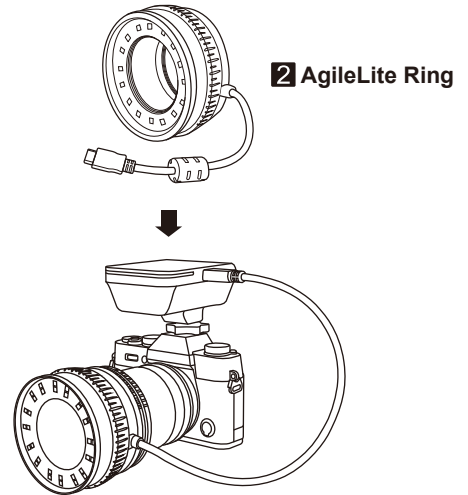
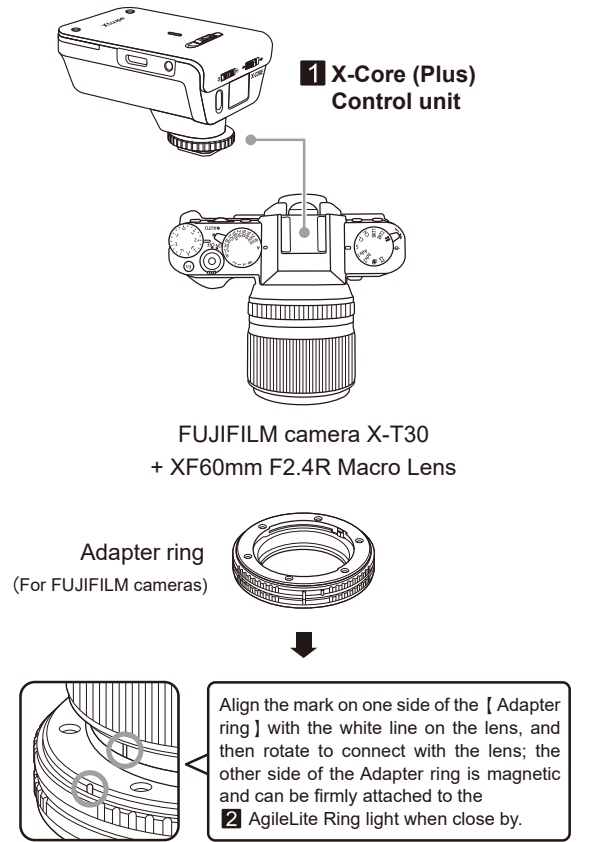
Set the (B) [Display Switch] to [☀], move (C) [Adjustment lever] leftwards / rightwards, in turn to regulate the lighting intensity.



[Notice]:

- ❷ ~ ❾ are on the mode of 1:2 brightness ratios, the blink indicates the brightness is lower.
- lighting mode in use: X-Core with 11-segment lighting modes (❶ ~ ❾)
 X-Core Plus with 15-segment lighting modes (❶ ~ ❿)
- *Dimming intensity: X-Core: 1~100% with 5-step dimming
 X-Core Plus: 10~100% with 10-step dimming

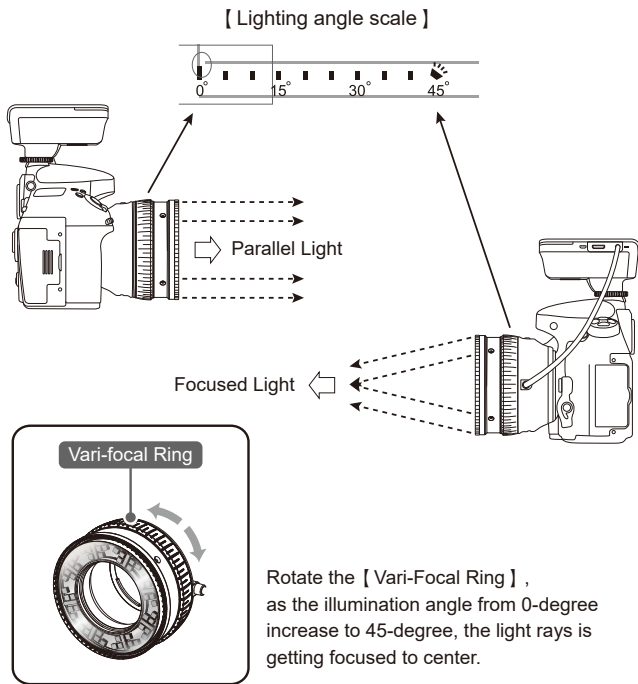
Product parts and assembly diagram



AgileLite Ring Assembly

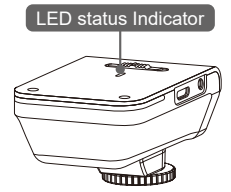
1	Take the camera, mount the Adapter ring on the camera lens port.
2	Mount the X-Core (Plus) to camera accessory shoe, and screw the locking ring in clockwise direction to tighten.
3	Put the camera assembly directly connect to the end of AgileLite Ring; it will be firmly attached with the magnetic power by the ring magnet mount on the barrel end.
4	Connect the charge-only sync & charge cable on AgileLite Ring to the connection port on X-Core (Plus).
5	Rotate the barrel until the symbol align to the camera accessory shoe. (This step is to set the illumination regions right on the quadrant position)

Ring Light / Setting illumination



Charging / Troubleshooting

1. Before using, confirm that the built-in battery of the control unit is fully charged (1st charge 8 hours ,and subsequent charging around 4 hours).
2. Please use the included power cord / power adapter to connect the X-Core (Plus) and the power outlet for charging. The LED status indicator should immediately light up blinking Blue (alternate long and short), then turn into Red: charging is in progress; steady Blue: charging completed.
3. If the LED status indicator fails to light up, please check:
 - a). Check the socket. Is the switch not on?
 - b). Press the power button for 10 seconds to reset the software.
 - c). Or other causes affect the power supply to the socket. If necessary, ask the experts to check the socket.
4. After charging the battery, remove power adapter from charge inlet.
5. Warning: DO NOT USE CHARGER in WET CONDITION.



Basic Trouble shooting

1. If the LED is not bright, check the battery power of the control unit.
2. The battery is fully charged, but lasts for shorter and shorter time: Lithium-ion battery provides long-lasting battery life, can recharged at any time; but no matter what kind of rechargeable battery, it ultimately need to be replaced.

Precautions

⚠️ WARNINGS ⚠️

Please ensure that you read and understand the safety precautions before using.

To avoid the fire, electric shocks, or result in a body severe injury, please obey the following instructions.

1. Keep this equipment out of the reach of children.
2. This product equipped high-brightness LEDs. The LED light can be intense enough to injure eyes. For eye safety, DO NOT look directly into the Ring Light / Barrel Light or stare into LED at close range; also DO NOT aim the light at people.
3. Keep this equipment away from water or other liquids. The usage for a humid product could result in fire or electric shock. If it happened, immediately turn off the product power, or unplug from the outlet. In case of any liquid droplet on the surface of this product, wipe it out immediately.
4. Do NOT leave X-Core (Plus) near the heat source or use in a hot environment, and avoid its exposure to the direct flame or heat.
5. Do NOT disassemble, alter or modify to this equipment. Do Not apply pressure to the LEDs of Ring Light / Barrel Light, as this could cause damage or malfunction.
6. Do NOT scratch, twist, tie or excessively bend the power cable and power supply cord.
7. In case of any contact to the leaked substances from the battery, immediately flush the contacted skin, face, or cloth with large amount of water and ask for medical assistance.
8. Do NOT discard this equipment into the trash can. Please recycle when possible.

⚠️ CAUTION ⚠️

If potential hazards are not eliminated, it may result in body injury, property / financial loss, and the malfunction of the product.

The following instructions are also applied to the warning of unsafe operation.

1. Avoid strong impacts or shocks of the equipment. Be careful not to bump the barrel, and also not to touch the LEDs.
2. Do NOT use, place or store the equipment in a place with strong sunlight or high temperature.
3. Avoid using the equipment under the airtight or airless condition; otherwise, it may result in short circuit, overheating, explosion, fire, burns, or other accidents. High temperature could deform the sharp of casing.
4. If not using the equipment for a long period of time, store them in a safe place. Improper usage of the battery could make the battery exhausted in a short time.
5. Use the included power adapter for charging. Do not charge the battery with other branded power adapter; otherwise, product breakdown, overheating, fire, electric shock, or body injuries might occur.
6. Before you move the equipment rapidly from a cold place to a hot place, please place the equipment inside a sealed plastic bag to allow its gradual adaptation with the ambient temperature. As well as avoid the water condensation which cause the mechanical problems. Moving the equipment rapidly from cold to hot temperatures may cause condensation (water droplet) to form in the inside or on the surface of the equipment.

★ In the interest of continually improving products, Lumos Tech. reserves the right to update or modify information contained in this manual without prior notice.

★ Product image of this manual is for reference only and actual product appearance may vary.

★ The system only support and to be used with FUJIFILM camera X-T30 + XF60mm F2.4R Macro Lens for the best effect.

Disclaimer

- Thank you for using this product. While every effort has been made to ensure that the information contained in this guide is accurate and complete, no liability can be accepted for any errors or omissions.
- We (Lumos Tech.) reserves the right to change the product appearance or specification. The contents of catalogs / manuals are subject to change without prior notice.
- No part of this guide may be reproduced, transmitted, transcribed, stored in a retrieval system, or translated into any language in any form, by any means, without the prior written permission of Lumos Technology Co., Ltd.

Trademark Acknowledgments

- Fujifilm / Canon / Nikon are either registered trademarks or trademarks of Fujifilm Holdings corporation / CANON Inc / Nikon Group in Taiwan and / or other countries.
- X-Loupe® is a registered trademark of Lumos Technology Co., Ltd. You are not authorized to use such trademark and service permission from us (Lumos Tech.) We reserve the trademark or other intellectual property rights.

In case of any question, please contact your X-Loupe® distributor, or e-mail: contact@lumos.com.tw



7th Floor, No. 8, Wanhe St., Wenshan District,
11653 Taipei City, Taiwan
TEL: 886-2-2230-1168 FAX: 886-2-2239-2112
e-mail: contact@lumos.com.tw
www.x-loupe.com www.lumos.com.tw

LUMOS
Lumos Technology Co. Ltd.